

iMCU-S2E

Serial to Ethernet ready to run iMCU

iMCU-S2E family provides Ethernet connectivity to any electronic device with a serial interface on its host microcontroller. It delivers the SoC bundled with market-proven 'Serial to Ethernet' application firmware .

Full-Featured Serial to Ethernet Firmware Programmed

- ◆ No Programming Required
- ◆ MAC Address Included
- ◆ RS-232, RS-422/485 Ready

Complete Hardware Reference Design Package

- ◆ Reference Hardware Schematic
- ◆ Gerber Files
- ◆ Design Integration Guide
- ◆ Part List

Software Utilities for Easy Configuration

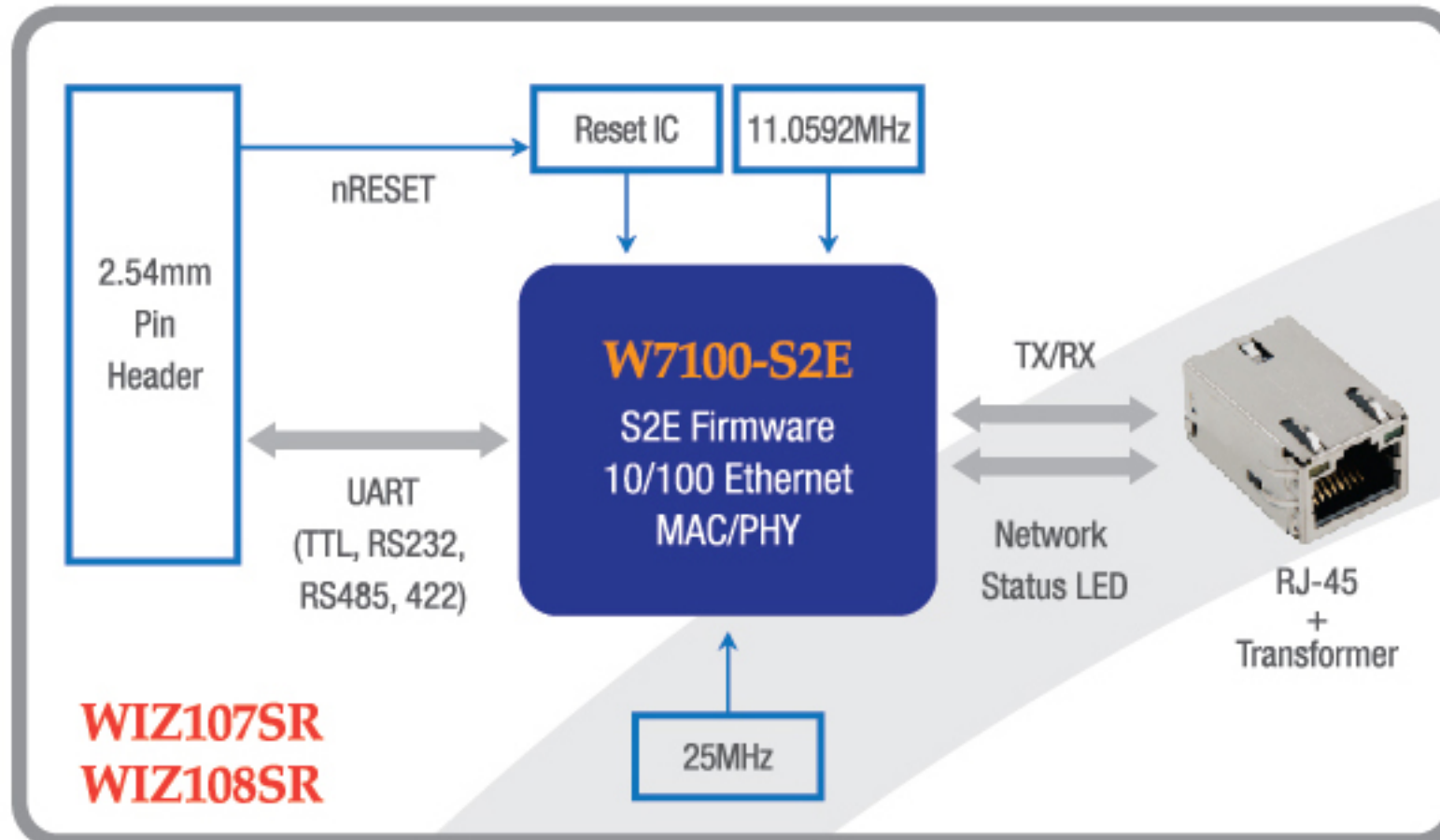
- ◆ User Friendly Configuration Tool Program (provides its source code for the customization)
- ◆ WIZ VSP (Virtual COM Port Program)

Highly Integrated Networking Co-Processor

- ◆ Embeds an Industrial Standard MCU Core
 - W7100-S2E : 8051 Core
 - W7200-S2E : Cortex M3 Core
- ◆ Integrates with Fully-Hardwired TCP/IP Core
- ◆ Includes 10/100 Ethernet MAC & PHY

W7100-S2E

W7100-S2E is a highly integrated SoC in which 'Serial to Ethernet' application firmware is programmed. It comes with licensed networking firmware of WIZ107SR or WIZ108SR module, which is already deployed in millions of network devices.



Market-Proven 'Serial to Ethernet' Firmware

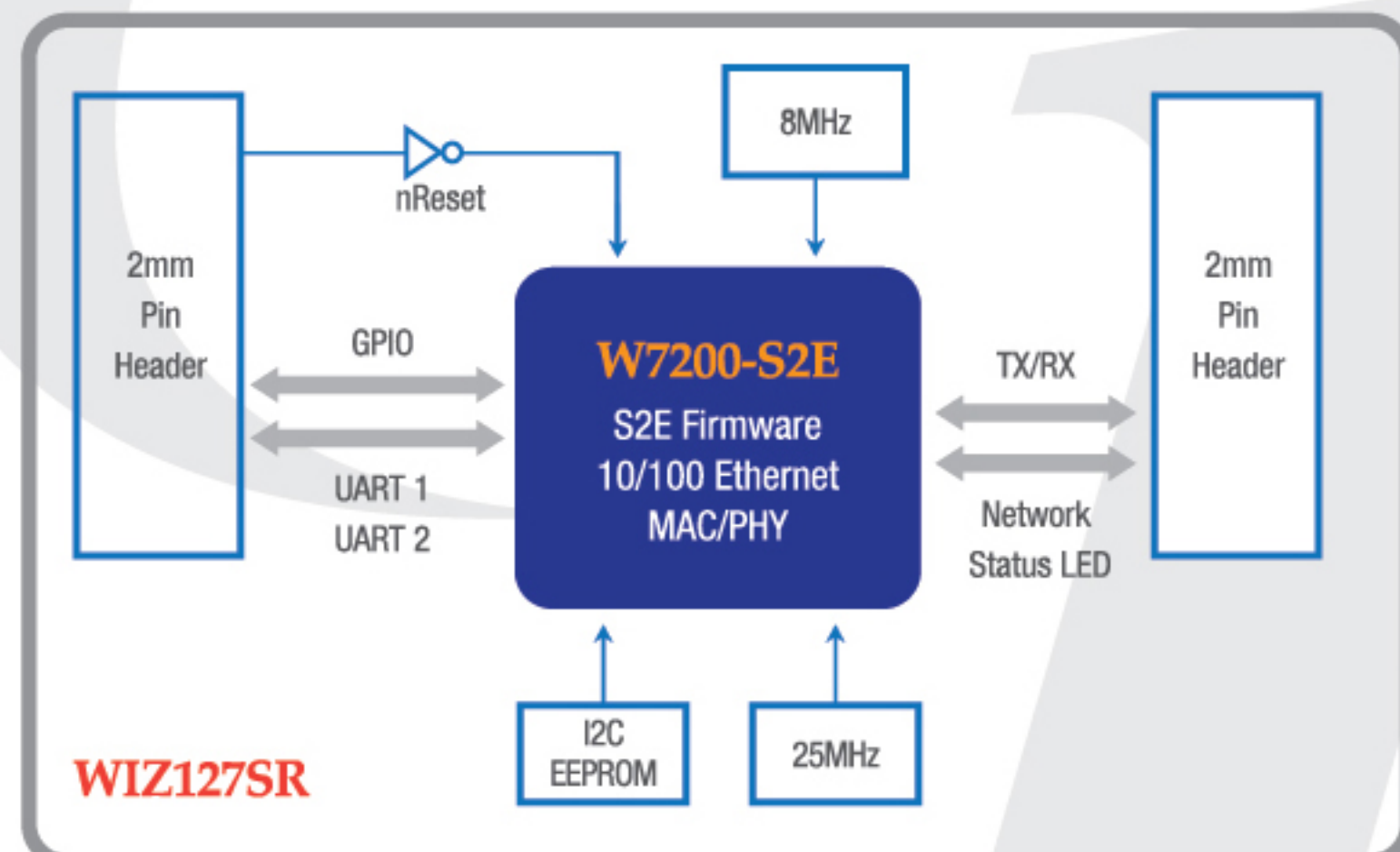
- ◆ Single port serial to Ethernet (RS-232 & 422/485)
- ◆ Supports TCP & UDP Communication
- ◆ DHCP, DNS
- ◆ Configurable user password for security
- ◆ Supports serial commands for serial configuration
- ◆ Supports 10/100 Ethernet & Max. 230Kbps serial interface
- ◆ Supports Firmware Customization

iMCU™ W7100A

- ◆ 8051 Microcontroller with TCP/IP, 10/100 MAC/PHY
- ◆ 64K Bytes Flash & 64K Bytes SRAM
- ◆ 3.3V operation with 5V Tolerant I/O
- ◆ 100LQFP 13x13 Lead Free Package

W7200-S2E

W7200-S2E is a high-performing Cortex-M3 in which advanced 'Serial to Ethernet' application firmware is programmed. It comes with licensed networking firmware of WIZ127SR module that improved functions are added to.



Advanced 'Serial to Ethernet' Firmware

- ◆ 2 port serial to Ethernet (RS-232 & 422/485)
- ◆ Supports TCP & UDP Communication
- ◆ DHCP, DNS, NTP
- ◆ Configurable user password for security
- ◆ Easy Configuration : Web, Telnet, Configuration Tool & Serial Command
- ◆ GPIO Extendable (Max. 10 GPIOs)
- ◆ Supports 10/100 Ethernet & Max. 921,600bps serial interface
- ◆ Supports Firmware Customization

iMCU™ W7200

- ◆ Cortex M3 with Hardwired TCP/IP, 10/100 Ethernet MAC&PHY
- ◆ 128KBytes FLASH / 20Kbytes SRAM
- ◆ Low Power by supporting Sleep, Stop & Standby mode
- ◆ 3.3V operation with 5V tolerant I/O
- ◆ 60LGA 10X10 Lead Free Package

WIZnet US : wiznettechnology.com
WIZnet HK : wiznettechnology.cn
WIZnet EU : wiznet.eu

WIZnet : wiznet.co.kr
On-Line Mall : ewiznet.com
WIZnet Blog : blog.wiznet.co.kr